



REDFARRRED
LED LIGHT SYSTEMS

PRODUCT RANGE



REDFARRED
L E D L I G H T S Y S T E M S



ABOUT OUR TECHNOLOGY

This Professional Low Energy, High Powered LED Grow Light Has Proprietary Wide Spectrum Technology to Reach Optimized Growth Conditions.

REDFARRED is a Leading Provider of LED Grow Lights, based on our Multi-Diode and Our Patented Phosphor Technology Made for Maximising Yields by Targeting the Phytochrome System and Maximising Photosynthesis.



PRODUCT RANGE

Based on a multi-diode and patented-phosphor technology, RedFarRed LED Grow Lamps represent the cutting edge of the LED growing evolution.



SIZE:

100 Watt
600x150x120mm



SIZE:

150 Watt
1200x150x120mm



SIZE:

200 Watt
1500x150x120mm



Wide spectrum technology



Meanwell driver mounted on top of the highest quality extruded aluminum body



Highest quality industrial standard LED

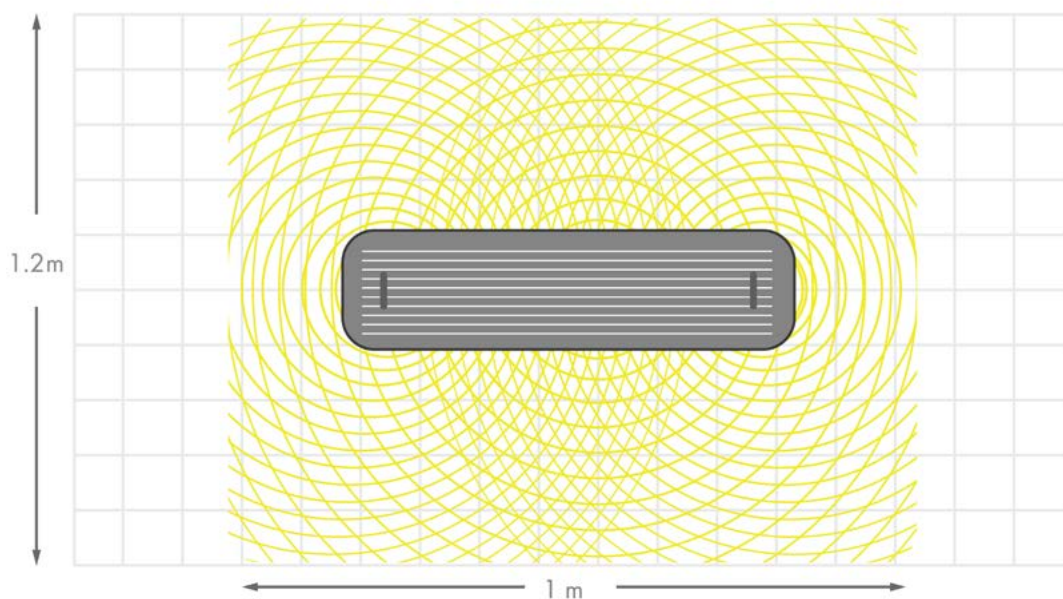
AREA OF COVERAGE

Area of cover for indoor growing. Redfarred LEDs can be placed 15 cm above seedling to the finished plant for maximum growth and efficiency.

100W MODEL

Light Dimensions: 600x150x120mm **Power:** 100w

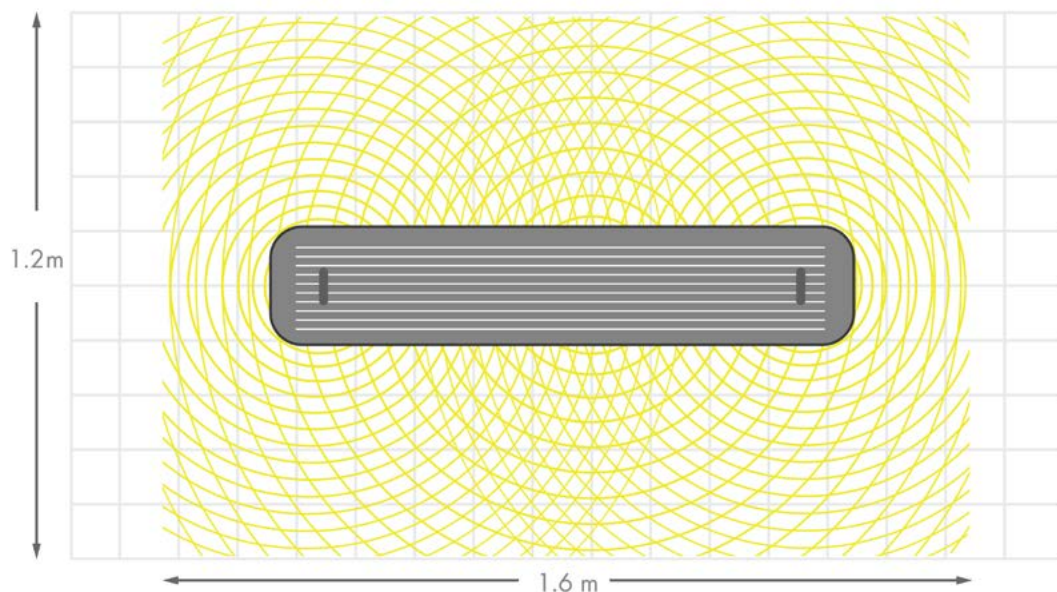
Area of cover: 1000x1200x2500mm



150W MODEL

Light Dimensions: 1200x150x120mm **Power:** 150w

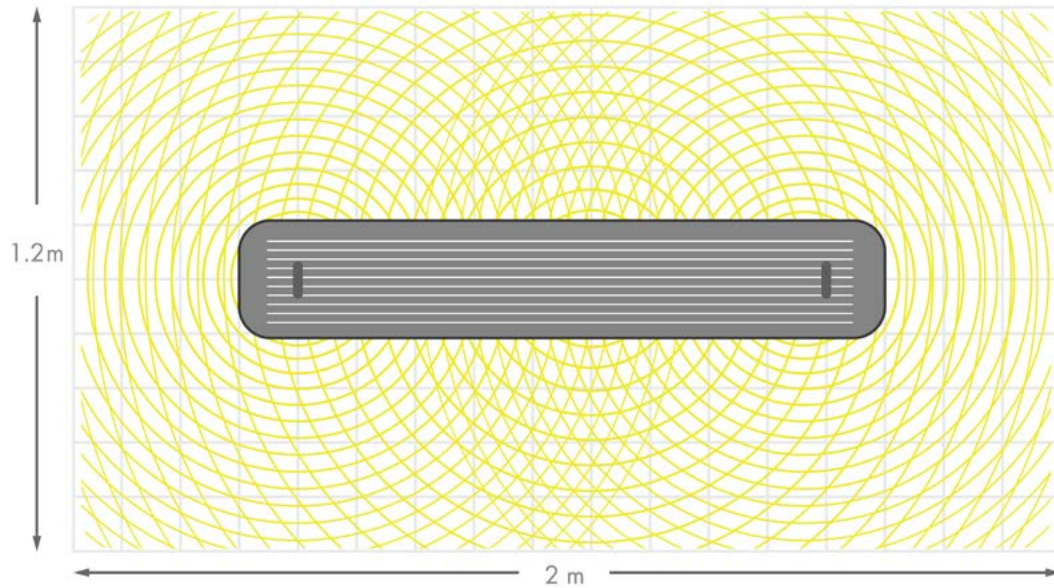
Area of cover: 1600x1200x2500mm



200W MODEL

Light Dimensions: 1500x150x120mm **Power:** 200w

Area of cover: 1900x1200x2500mm



TECHNICAL DETAILS

Industrial standard Patented Phosphor Technology Made for Maximising Yields by Targeting the Phytochrome System and Maximising Photosynthesis.

Light Sizes (L X W X H)	(600 x 150 x 120mm) (1200 x 150 x 120mm) (1500 x 150 x 120 mm)
Electrical Power	(100 Watt) (150 Watt) (200 Watt)
Weight	(3.5 Kg) (6 Kg) (7 Kg)
Cable Length	3 Metres
Input Voltage	AC 100-277 V, 50/60 Hz
Diodes	Patented Phosphor Technology using 0.23W Diodes
Dimming	Non-Dimmable
Driver	External Meanwell Driver
Beam Angle	140 Degrees
Casing	Aluminium Body
Optical Window	Polycarbonate Cover
Operating Temperature	-20 to +40 Degrees Celsius
Warranty	3 Years
Life Span	>50,000 Hours @L85
IP Rating	IP65 Waterproof
CE	EMC and LVD Approval
RoHS	RoHS Approval

Caution

DO NOT = DIS-ASSEMBLE OR MODIFY THE LAMP.
DO NOT = TOUCH THE SHELL BODY WHEN THE LAMP IS WORKING.

Warning

THE VOLTAGE IS AC 100-277V, PLEASE MAKE SURE THE VOLTAGE IS SUITABLE BEFORE USAGE. KEEP IT AWAY FROM CHILDREN.



REDFARRRED
L E D L I G H T S Y S T E M S

CONTACT DETAILS

www.redfarred.com

info@redfarred.com



[redfarred_led_horticultural](#)

[bored_then_grow](#)